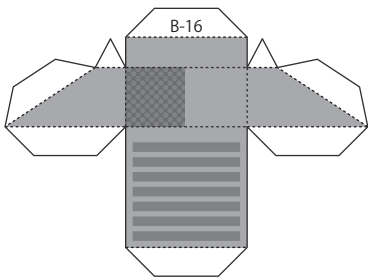
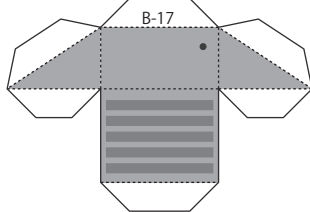


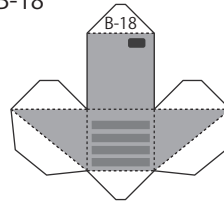
B-16



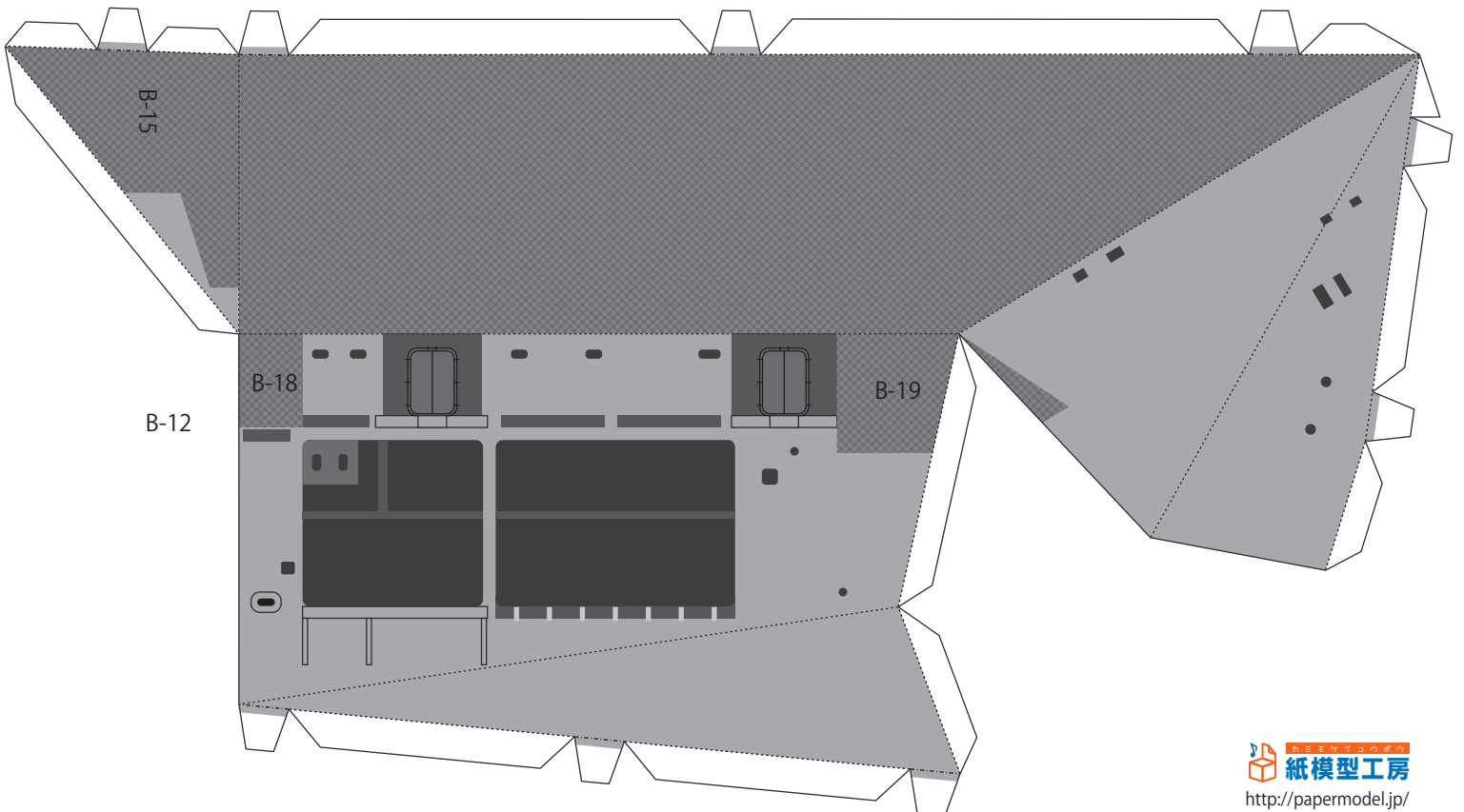
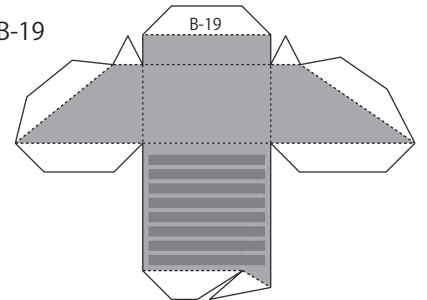
B-17

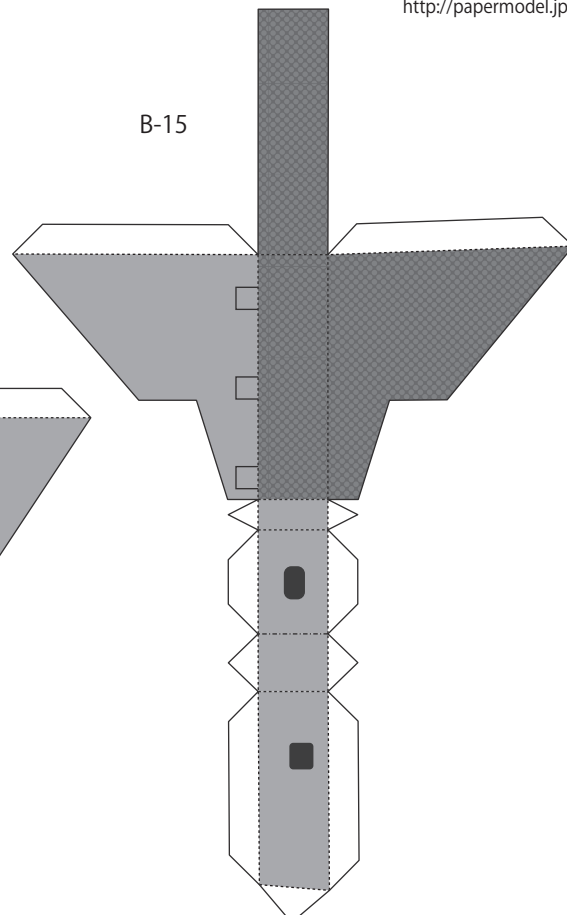
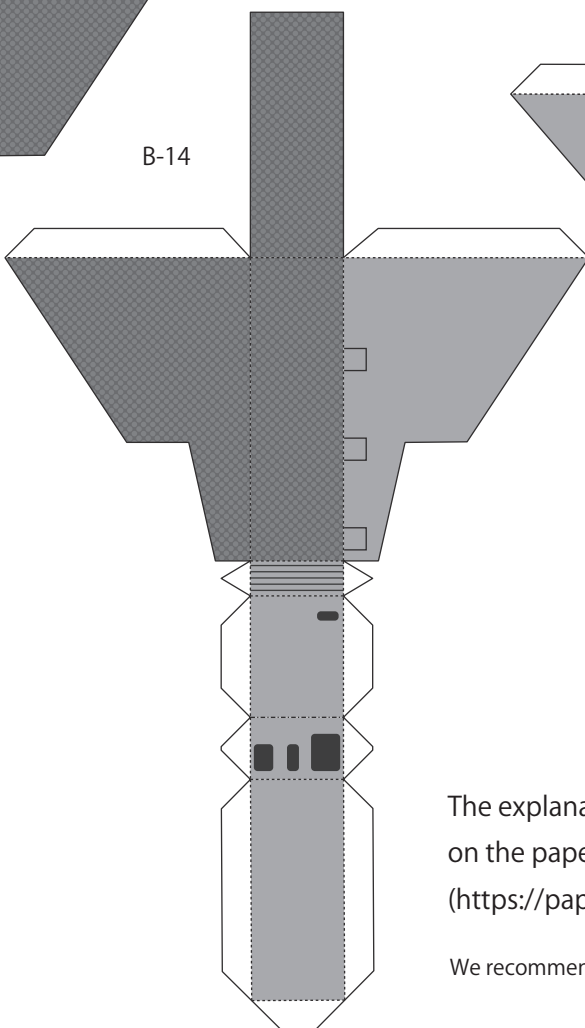
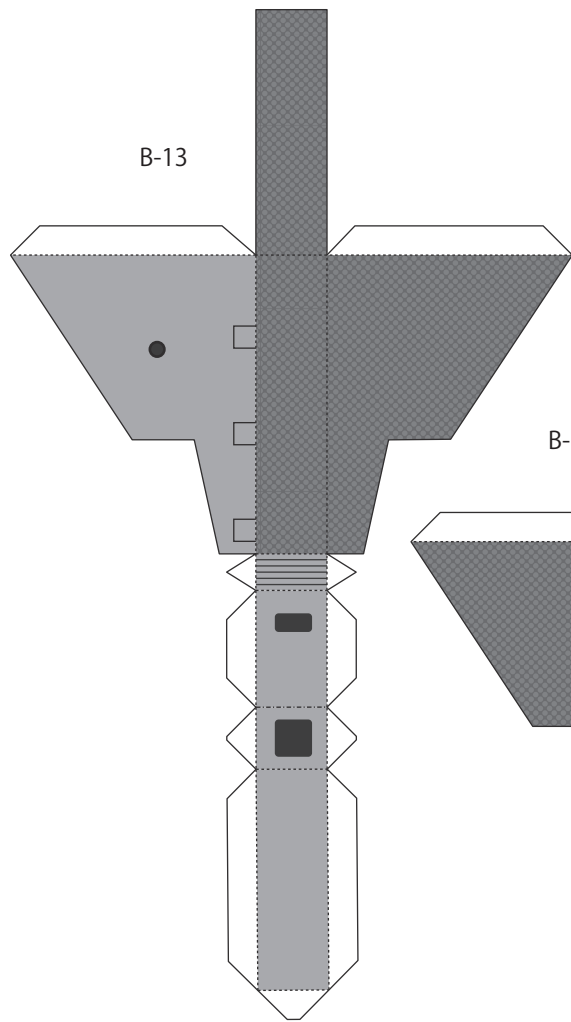


B-18



B-19





The explanation of the assembly method is available on the paper craft website "Paper Model Studio" (<https://papermodel.jp/cvn78-index.html>).

We recommend "Borderless printing" for the printer settings.

